



Ground Mounted Charger LS4 (OLEV approved)

Type: LS4DCMT274WO-LAN

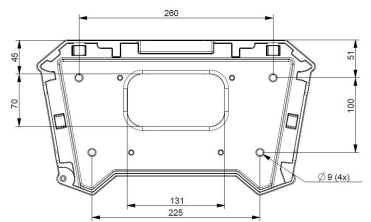
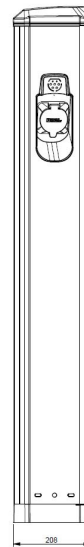
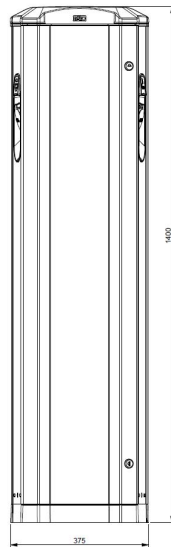
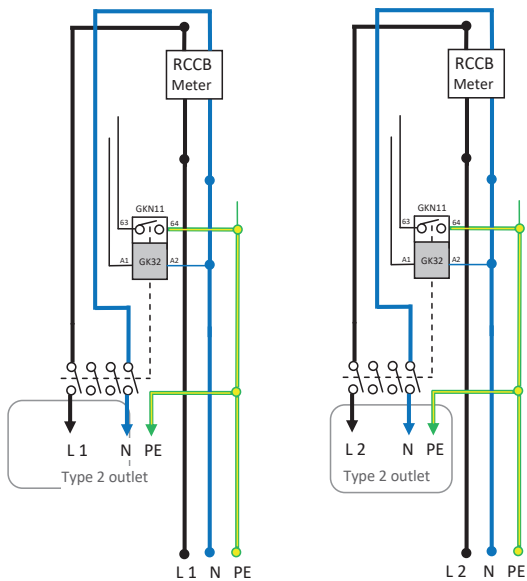


LS4DCMT274WO-LAN

| | |
|---------------------------|--------------------------|
| Charging Mode | Mode 3 |
| Socket or Tethered Lead | Socket (type 11) X 2 |
| AC Output Current (A) | 6,10,16,20,25,32 |
| Power outlet [kW] | 3.7KW,7.4KW |
| Rated voltage [V AC] | 230 / 400 |
| Frequency [Hz] | 50 |
| Temperature range [C] | -25...+40 |
| Degree of protection (IP) | 44 |
| Weight(KG) | 24.5 |
| Location | Ground / Wall mounted |
| DC Monitoring | Yes, |
| Load management | Standard with GNM3D / 3T |
| Local Meter | Standard |
| Communication | Local Area Network (LAN) |
| RFID | Standard |
| Protocol | OCPP1.5 / 1.6 |
| Certification | EN 61851-1, IEC 61439-7 |

Master Socket

Slave Socket





| | | |
|---|---------|---------------------------|
| Dokument/document | | Utgåva datum/edition date |
| Försäkran om överensstämmelse/ Declaration of conformity | | 2015-05-04 |
| Avdelning/department Kvalitet/Quality | | |
| Ansvarig/prepared | Version | Sida/page |
| Kent Andersson | 4 | 1 av/of 1 |

Manufacturer/Tillverkare: GARO AB
Box 203
S-335 25 GNOSJÖ
Sweden

Telephone: +46 (0)370 33 28 00
Telefax: +46 (0)370 33 28 50

Agent established within EC/Ombud etablerad inom EG

Agent of equipment/Materielslag: Electric Charging Station for EV/Laddstation för elbil

Trade Mark/Varumärke: GARO

Type Designation/Typbeteckning:

GARO Charger LS4 Product code: LS4 DC M T 274-222 WO - LAN - MC - C
Product code: LS4M-T222W 4G - AU - AUC

We hereby declare that our product fulfils the requirements of following EC directives/
Vi intygar härmed att vår produkt uppfyller krav enligt följande EU direktiv:

- The Low Voltage Directive (LVD) 2014/35/EU / Lågspänningsdirektivet (LVD) 2014/35/EU.
- Electromagnetic compatibility (EMC) 2014/30/EU / Elektromagnetisk kompatibilitet (EMC) 2014/30/EU.
- RoHS Directive (RoHS) 2011/65/EU / RoHS direktivet (RoHS) 2011/65/EU.
- No electromagnetic compatibility (EMC 2014/30/EU) immunity or emission tests are required on the assembly / Produkten innehåller inte elektroniska apparater som påverkas enligt förbehållen enligt direktivet (EMC) 2014/30/EU.

The following harmonised standards (latest edition) or technical specifications which comply with good engineering practice in safety matters in force within the EC have been used in the design:/

Följande harmoniserade standarder (senaste utgåva) eller tekniska specifikationer som uppfyller god säkerhetsteknik praxis inom EG har använts i konstruktionen: IEC 61851-1 och IEC TS 61439-7

- The equipment confirms completely with the above stated harmonised standards or technical specifications./
Materielen överensstämmer helt med ovan angivna harmoniserade standarder eller tekniska specifikationer.

Or/Eller

The equipment confirms only partially with the above stated harmonised standards or technical specifications but complies with good practice in safety matters in force within the EC./

Materielen överensstämmer endast delvis med ovan angivna harmoniserade standarder eller tekniska specifikationer, men uppfyller god säkerhetsteknisk praxis inom EG.

We have product surveillance according to CENELEC's harmonised requirements, documents CCA-201.

GARO AB
Company/Företag

2016-05-12
Date/Datum


Sign/Underskrift

Responsible for Technology and standardization/Teknik och standardiseringsansvarig
Position/Befattning

Kent Andersson
Sign in printed letters/Namnförtydligande