



LONG CABLE SET SPECIFICATIONS



DATASHEET

BYD Long Cables

Global Tech China Ltd, 3 Floor, Wai Yip Industrial Building.
171 Wai Yip Street, Kwun Tong, Kowloon, Hong Kong.
Tel: +852 2884 4318 Fax: +8522884 4816
www.sunsynk.com / sales@globaltech-china.com

1. PART LIST

No.	Name	Description	Quantity	Unit	Cutting line length	Remark
A	Wire	EV 25MM2 798/0.2 -40~125°C 1500V OD:10mm	2	PCS	13*1538*15	AMG
B	Terminal	R type bare terminal KST:RNBS22-10	2	PCS		KST
C	Conn	Amphenol Black Female C10- 730186-100	1	PCS		Customer supply
D	Conn	Amphenol Red Female C10- 730186-200	1	PCS		Customer supply
E	Casing	Black heat shrinkable sleeve D12.0mm L=25mm	3	PCS		LT
F	Casing	Red heat shrinkable sleeve D12.0mm L=25mm	1	PCS		LT
G	Bag	Self sealing PE bag 0.05mm*L200mm*W200mm punch	4	PCS		BLH
H	Wire	CAT. 5e S-FTP 24AWG*4P (STR) OD:5.8MM	1	PCS		
I	Cable Ties	White nylon east cable line W3. 0*L150mm	4	PCS		ST
J	Crystal head	RJ45-8P8C transparent water area headband iron seal gold plated FU	1	PCS		
K	Stock	Black PVC Compound 45P	7	G		
L	Wire	Yellow-green ground wire 10mm2 1500V	1	PCS		
M	Terminal	R type bare terminal D6.4mm KST:RNBS10-6	2	PCS		

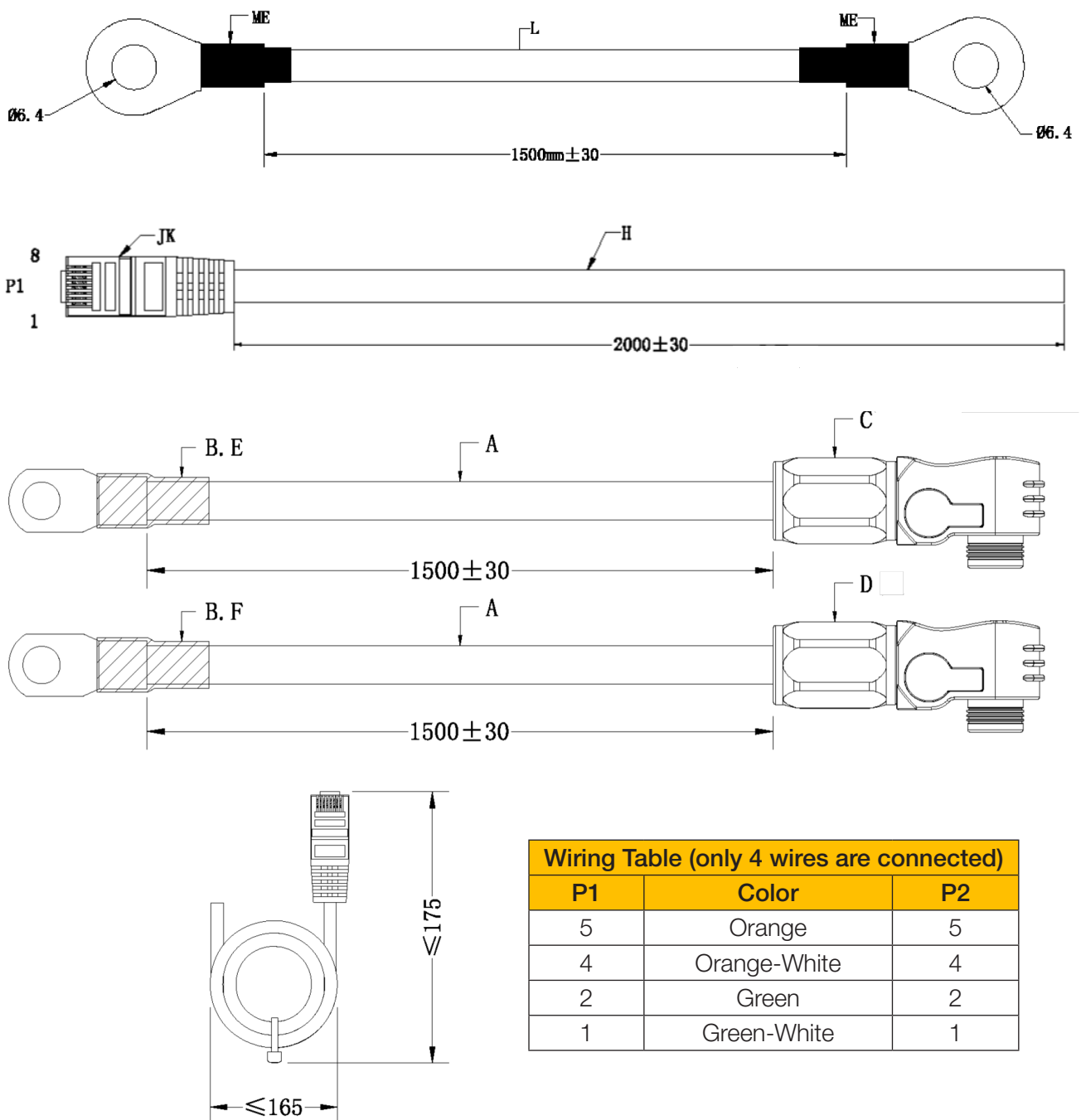
2. TECHNICAL REQUIREMENTS

1. The plugs and terminals should not be deformed, the surface should be free from damage, burrs and sharp corners, and the coating should be uniform without stacking and blank peeling;
2. The connection between the terminal and the wire should be firm, without dislocation, open circuit, short circuit, and the conduction yield is 100%;
3. It should not be damaged and disengaged under the specified tensile force, and its tensile force value should not be less than: the tensile force of the wire cross-sectional area of 6AWG is greater than 500N;
4. The terminal is crimped with special tools, and the crimping tension and section need to be inspected for the first time. Refer to the standard "QC/T 29106-2014 Technical Conditions for Automotive Low-Voltage Wire Harness";

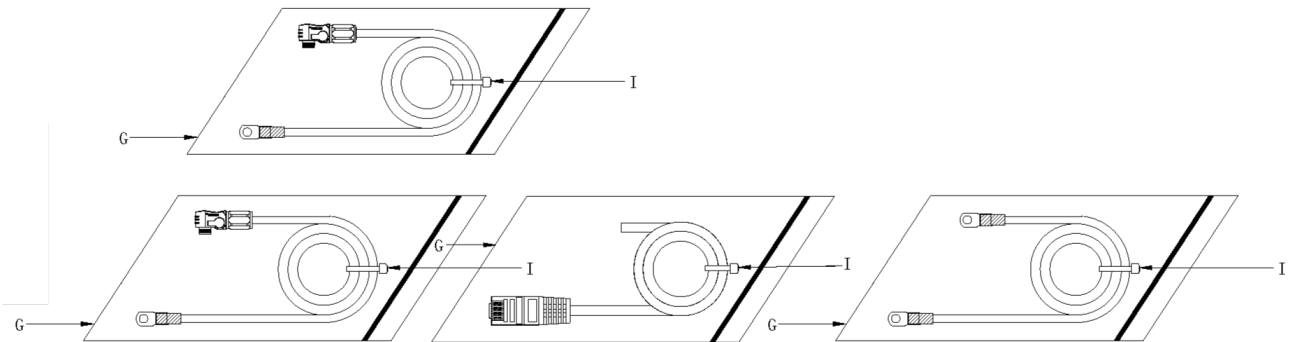
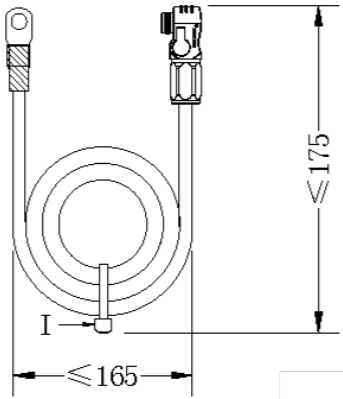
5. Other requirements refer to the standard “QCT 29106-2014 Technical Conditions for Automotive Low-Voltage Wiring Harness”;
6. The cable withstand voltage test is connected to 600V AC voltage, and the leakage current is less than or equal to 5mA;
7. All materials must comply with ROHS requirements.
8. All materials need to meet UL standards;

3. COMPONENTS DIMENSIONS

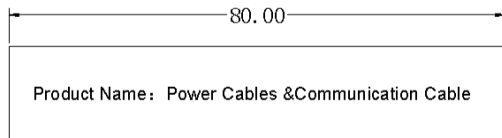
All dimensions presented are in mm.



Wiring Table (only 4 wires are connected)		
P1	Color	P2
5	Orange	5
4	Orange-White	4
2	Green	2
1	Green-White	1

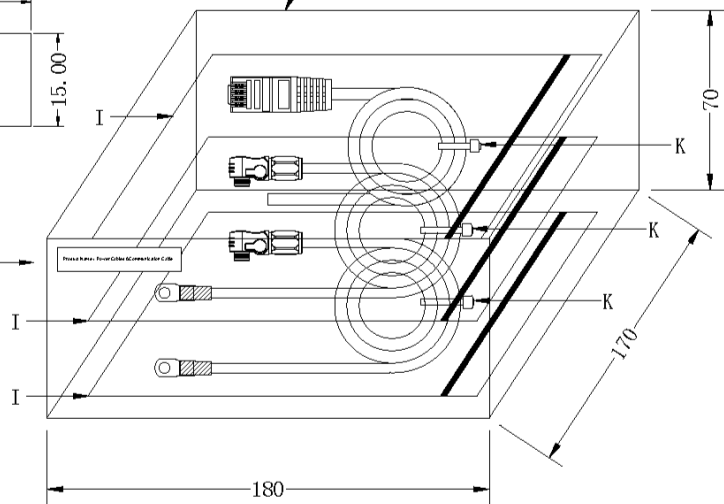


Inner box sticker: black text on white background



affixed to the upper left corner of the carton

J (one cable tie for each of the three lines, one PE bag for each / one carton in total)



Sunsynk Limited & Global Tech China Ltd,
3 Floor, Wai Yip Industrial Building.
171 Wai Yip Street, Kwun Tong,
Kowloon, Hong Kong.

Tel. HK +852 2884 4318 Fax: +852 2884 4816

Tel. UK +44 151 528 9945

Tel. SA +27 1108 39837

sales@globaltech-china.com

Audio Training manuals on Apple Pod Cast and Spotify.
Full training support, manuals and videos on www.sunsynk.com



Global Tech China Ltd

3rd Floor, Wai Yip Street Kwun Tong, Kowloon, Hong Kong

Want to become a distributor? Or want to know more?

Email us: sales@globaltech-china.com Our website: www.sunsynk.com

GT website: www.globaltechchina.com

